

P-611.3 NanoCube® XYZ Piezo Stage

Compact Multi-Axis Piezo System for Nanopositioning and Fiber Alignment



NanoCube® XYZ-nanopositioning system,
100 x 100 x 100 µm closed-loop travel range, resolution 1 nm

- Up to 120 x 120 x 120 µm Travel Range
- Very Compact: 44 x 44 x 44 mm
- Resolution to 0.2 nm, Rapid Response
- Frictionless, High-Precision Flexure Guiding System
- Outstanding Lifetime Due to PICMA® Piezo Actuators
- Fast Multi-Axis Scanning
- Version with Integrated Fiber Adapter Interface
- Cost-Effective Mechanics/Electronics System Configurations

The P-611 NanoCube® piezo stage is a versatile, multi-axis piezo-nanopositioning system. Its 100 x 100 x 100 µm positioning and scanning range comes in an extremely compact package of only 44 x 44 x 44 mm. Equipped with a stiff, zero-stiction, zero-friction guiding system, this NanoCube® provides motion with ultra-high resolution and settling times of only a few milliseconds. The minimal moved masses and the stiff

piezo drive make it ideal for high-throughput applications such as fiber alignment where it enables significantly faster device characterization than achievable with conventional motorized drives.

Closed-Loop and Open-Loop Versions

High-resolution, fast-responding, strain gauge sensors (SGS) are applied to appropriate locations on the drive train and provide a high-bandwidth, nanometer-precision position feedback signal to the controller. The sensors are connected in a full-bridge configuration to eliminate thermal drift, and assure optimal position stability in the nanometer range.

The open-loop models are ideal for applications where fast response and very high resolution are essential, but absolute

positioning is not important, e.g. in tracking or fiber positioning. They can also be used when the position is controlled by an external linear position sensor such as an interferometer, a PSD (position sensitive diode), CCD chip / image processing system, or the eyes and hands of an operator.

Versatility & Combination with Motorized Stages

The P-611 family of piezo stages comprises a variety of single- and multi-axis versions (X, XY, Z, XZ and XYZ) that can be easily combined with a number of very compact manual or motorized micropositioning systems to form coarse/fine positioners with longer travel ranges (see p. 2-20, p. 2-36 and p. 2-50). For fiber positioning tasks, several fiber, waveguide and optics adapters are available for mounting on the NanoCube® P-611.3SF (e.g. for combination with the F-206.S nanoalignment system see p. 4-12).

High Reliability and Long Lifetime

The compact P-611 systems are equipped with preloaded

Ordering Information

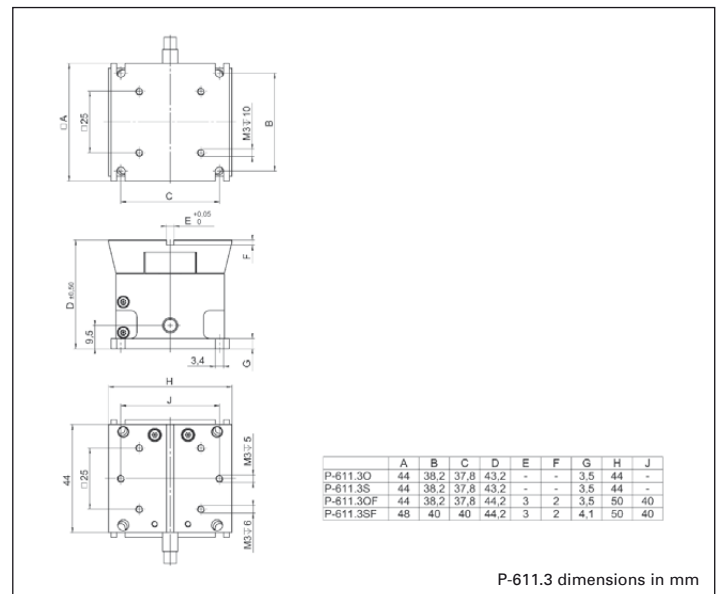
P-611.3S
NanoCube® XYZ Nanopositioning System, 100 x 100 x 100 µm, Strain Gauge Sensors

P-611.3O
NanoCube® XYZ Nanopositioning System, 100 x 100 x 100 µm, Open-Loop

P-611.3SF
NanoCube® XYZ Nanopositioning System, 100 x 100 x 100 µm, Strain Gauge Sensors, Fiber Adapter Interface

P-611.3OF
NanoCube® XYZ Nanopositioning System, 100 x 100 x 100 µm, Open-Loop, Fiber Adapter Interface

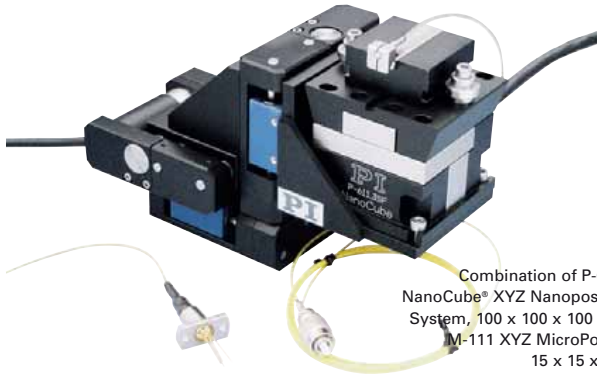
PICMA® high-performance piezo actuators which are integrated into a sophisticated, FEA-modeled, flexure guiding system. The PICMA® actuators feature cofired ceramic encapsulation and thus offer better performance and reliability than conventional piezo actuators. Actuators, guidance and sensors are maintenance-free and not subject to wear, and thus offer an extraordinary reliability.



P-611.3 dimensions in mm

Application Examples

- Photonics / integrated optics
- Micromanipulation
- Biotechnology
- Semiconductor testing
- Fiber positioning



Combination of P-611.3SF
NanoCube® XYZ Nanopositioning
System, 100 x 100 x 100 µm and
M-111 XYZ MicroPositioner
15 x 15 x 15 mm

Technical Data

Model	P-611.3S P-611.3SF	P-611.3O P-611.3OF	Units	Tolerance
Active axes	X, Y, Z	X, Y, Z		
Motion and positioning				
Integrated sensor	SGS			
Open-loop travel, -20 to +120 V	120 / axis	120 / axis	µm	min. (+20%/0%)
Closed-loop travel	100 / axis	–	µm	
Open-loop resolution	0.2	0.2	nm	typ.
Closed-loop resolution	1	–	nm	typ.
Linearity	0.1	–	%	typ.
Repeatability	<10	–	nm	typ.
Pitch in X,Y	±5	±5	µrad	typ.
Runout θ_x (Z motion)	±10	±10	µrad	typ.
Yaw in X	±20	±20	µrad	typ.
Yaw in Y	±10	±10	µrad	typ.
Runout θ_y (Z motion)	±10	±10	µrad	typ.
Mechanical properties				
Stiffness	0.3	0.3	N/µm	±20%
Unloaded resonant frequency X / Y / Z	350 / 220 / 250	350 / 220 / 250	Hz	±20%
Resonant frequency @ 30 g X / Y / Z	270 / 185 / 230	270 / 185 / 230	Hz	±20%
Resonant frequency @ 100 g X / Y / Z	180 / 135 / 200	180 / 135 / 200	Hz	±20%
Push/pull force capacity in motion direction	+15 / -10	+15 / -10	N	Max.
Load capacity	15	15	N	Max.
Drive properties				
ceramic type	PICMA® P-885	PICMA® P-885		
Electrical capacitance	1.5	1.5	µF	±20%
Dynamic operating current coefficient	1.9	1.9	µA/(Hz • µm)	±20%
Miscellaneous				
Operating temperature range	-20 to 80	-20 to 80	°C	
Material	Aluminum, steel	Aluminum, steel		
Dimensions	44 x 44 x 43.2 SF-version: 44 x 50 x 44.2	44 x 44 x 43.2 OF-version: 44 x 50 x 44.2	mm	
Mass	0.32	0.32	kg	±5%
Cable length	1.5	1.5	m	±10 mm
Sensor connector	Sub-D	–		
Voltage connection	Sub-D	Sub-D		
Recommended controller / amplifier	E-664 Nanocube® Controller (p. 2-137)	3 x E-610.00F OEM amplifier modules (p. 2-110); E-663 3-channel amplifier, bench-top (p. 2-136)		

Resolution of PI Piezo Nanopositioners is not limited by friction or stiction. Value given is noise equivalent motion with E-503 amplifier (p. 2-146)
Dynamic Operating Current Coefficient in µA per Hz and µm. Example: Sinusoidal scan of 50 µm at 10 Hz requires approximately 0.8 mA drive current.
Adapter cable with LEMO connectors for sensor and operating voltage available.

P-611.XZ · P-611.2 XZ & XY Nanopositioner

Compact 2-Axis Piezo System for Nanopositioning Tasks



P-611 XY- and XZ-nanopositioning systems (from left), 100 µm travel, resolution to 0.2 nm

- **Compact: Footprint 44 x 44 mm**
- **Travel Range to 120 x 120 µm**
- **Resolution to 0.2 nm**
- **Cost-Effective Mechanics/Electronics System Configurations**
- **Frictionless, High-Precision Flexure Guiding System**
- **Outstanding Lifetime Due to PICMA® Piezo Actuators**
- **X, Z and XYZ Versions also Available**

P-611 piezo stages are flexure-guided nanopositioning systems featuring a compact footprint of only 44 x 44 mm. The XY- and XZ-versions described here are part of a family of positioners available in 1 to 3 axis configurations. Despite their small dimensions the systems provide up to 120 µm travel with sub-nanometer resolution. They are ideally suited for planar

positioning tasks such as opticalpath length correction in interferometry, sample positioning in microscopy or scanning applications, for autofocus and photonics applications. Both versions are available with 100 µm travel per axis. Equipped with ceramic-encapsulated piezo drives and a stiff, zero-stiction, zero-friction flexure guiding system, all P-611 piezo stages combine millisecond responsiveness with nanometric precision and extreme reliability.

Closed-Loop and Open-Loop Versions

High-resolution, fast-responding, strain gauge sensors (SGS) are applied to appropriate locations on the drive train and provide a high-bandwidth, nanometer-precision position feed-

back signal to the controller. The sensors are connected in a full-bridge configuration to eliminate thermal drift, and assure optimal position stability in the nanometer range.

The open-loop models are ideal for applications where fast response and very high resolution are essential, but absolute positioning is not important. They can also be used when the position is controlled by an external linear position sensor such as an interferometer, a PSD (position sensitive diode), CCD chip / image processing system, or the eyes and hands of an operator.

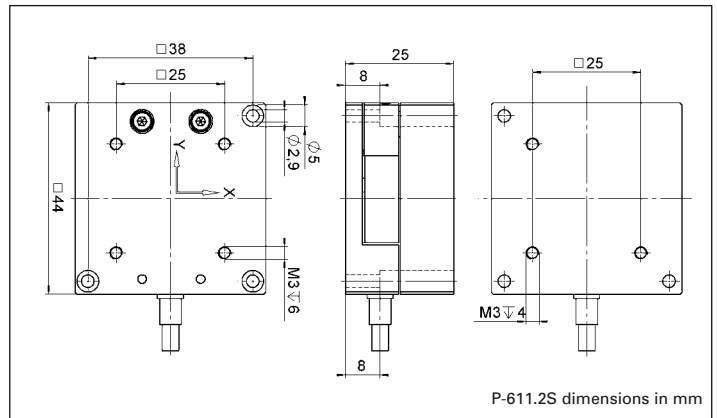
Versatility & Combination with Motorized Stages

The P-611 family of piezo stages comprises a variety of single-

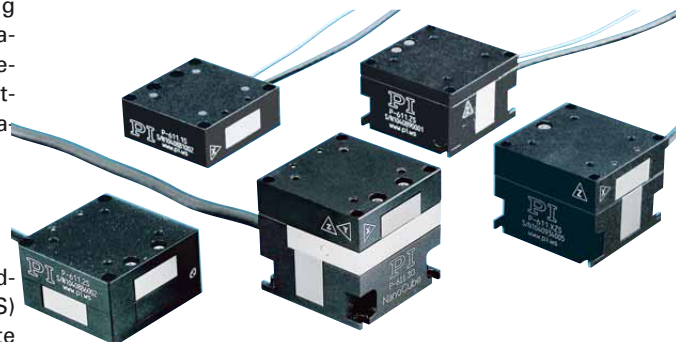
Ordering Information

- P-611.2S**
XY Nanopositioning System, 100 x 100 µm, SGS-Sensor
- P-611.20**
XY Nanopositioning System, 100 x 100 µm, No Sensor
- P-611.XZS**
XZ Nanopositioning System, 100 x 100 µm, SGS-Sensor
- P-611.XZ0**
XZ Nanopositioning System, 100 x 100 µm, No Sensor

and multi-axis versions (X, XY, Z, XZ and XYZ) that can be easily combined with a number of very compact manual or motorized micropositioning systems to form coarse/fine positioners with longer travel ranges (see p. 2-20, p. 2-36 and p. 2-50).



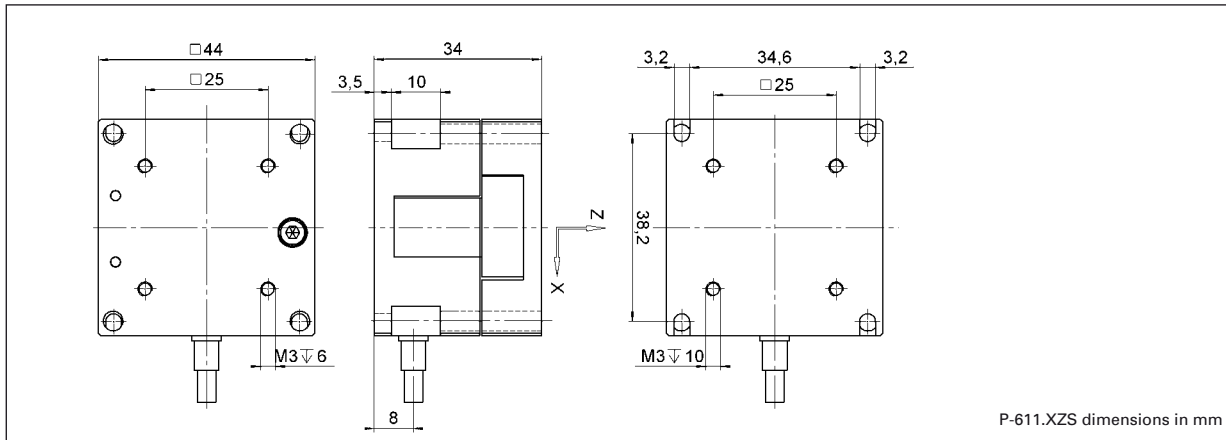
P-611.2S dimensions in mm



The whole P-611 family: X, Z, XY, XZ and XYZ stages

Application Examples

- Fiber positioning
- Semiconductor testing
- Micromachining
- Micromanipulation
- MEMS fabrication/testing
- Photonics / integrated optics



P-611.XZS dimensions in mm

Technical Data

Model	P-611.2S	P-611.20	P-611.XZS	P-611.XZ0	Units	Tolerance
Active axes	X, Y	X, Y	X, Z	X, Z		
Motion and positioning						
Integrated sensor	SGS	–	SGS	–		
Open-loop travel, -20 to +120 V	120	120	120	120	µm	min. (+20%/0%)
Closed-loop travel	100	–	100	–	µm	
Open-loop resolution	0.2	0.2	0.2	0.2	nm	typ.
Closed-loop resolution	2	–	2	–	nm	typ.
Linearity	0.1	–	0.1	–	%	typ.
Repeatability	<10	–	<10	–	nm	typ.
Pitch in X,Y	±5	±5	±5	±5	µrad	typ.
Runout θ_x (Z motion)	–	–	±10	±10	µrad	typ.
Yaw in X	±20	±20	±20	±20	µrad	typ.
Yaw in Y	±10	±10	–	–	µrad	typ.
Runout θ_y (Z motion)	–	–	±10	+/-10	µrad	typ.
Mechanical properties						
Stiffness	0.2	0.2	0.2 Z: 0.35	0.2 Z: 0.35	N/µm	±20%
Unloaded resonant frequency	X: 345; Y: 270	X: 345; Y: 270	X: 365; Z: 340	X: 365; Z: 340	Hz	±20%
Resonant frequency @ 30 g	X: 270; Y: 225	X: 270; Y: 225	X: 280; Z: 295	X: 280; Z: 295	Hz	±20%
Resonant frequency @ 100 g	X: 180; Y: 165	X: 180; Y: 165	X: 185; Z: 230	X: 185; Z: 230	Hz	±20%
Push/pull force capacity in motion direction	15 / 10	15 / 10	15 / 10	15 / 10	N	Max.
Load capacity	15	15	15	15	N	Max.
Drive properties						
Ceramic type	PICMA® P-885	PICMA® P-885	PICMA® P-885	PICMA® P-885		
Electrical capacitance	1.5	1.5	1.5	1.5	µF	±20%
Dynamic operating current coefficient	1.9	1.9	1.9	1.9	µA/(Hz • µm)	±20%
Miscellaneous						
Operating temperature range	-20 to 80	-20 to 80	-20 to 80	-20 to 80	°C	
Material	Aluminum, steel	Aluminum, steel	Aluminum, steel	Aluminum, steel		
Dimensions	44 x 44 x 25	44 x 44 x 25	44 x 44 x 34	44 x 44 x 34	mm	
Mass	0.235	0.235	0.27	0.27	kg	±5%
Cable length	1.5	1.5	1.5	1.5	m	±10 mm
Sensor connection	LEMO	–	LEMO	–		
Voltage connection	LEMO	LEMO	LEMO	LEMO		

Resolution of PI Piezo Nanopositioners is not limited by friction or stiction. Value given is noise equivalent motion with E-503 amplifier (p. 2-146)

Dynamic Operating Current Coefficient in µA per Hz and µm. Example: Sinusoidal scan of 50 µm at 10 Hz requires approximately 0.9 mA drive current.

Recommended controller / amplifier

Single-channel (1 per axis): E-610 servo controller / amplifier (p. 2-110), E-625 servo controller, bench-top (p. 2-114), E-621 controller module (p. 2-160)

Multi-channel: modular piezo controller system E-500 (p. 2-142) with amplifier module E-503 (three channels) (p. 2-146) or E-505 (1 per axis, high-power) (p. 2-147) and E-509 controller (p. 2-152)

Linear Actuators & Motors

Nanopositioning/Piezoelectrics

Piezo Flexure Stages / High-Speed Scanning Systems

Linear

Vertical & Tip/Tilt

2- and 3-Axis

6-Axis

Fast Steering Mirrors / Active Optics

Piezo Drivers / Servo Controllers

Single-Channel

Multi-Channel

Modular

Accessories

Piezoelectrics in Positioning

Nanometrology

Micropositioning

Index