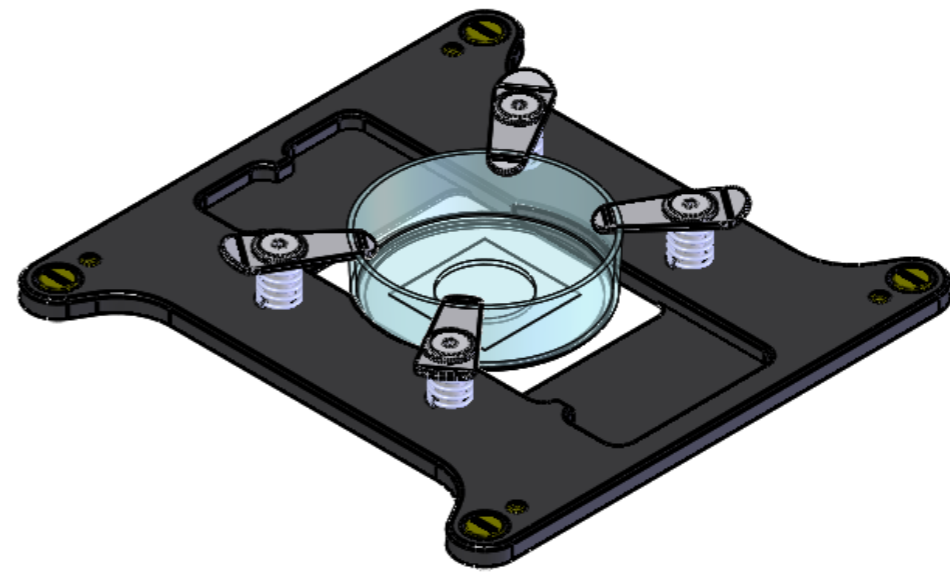
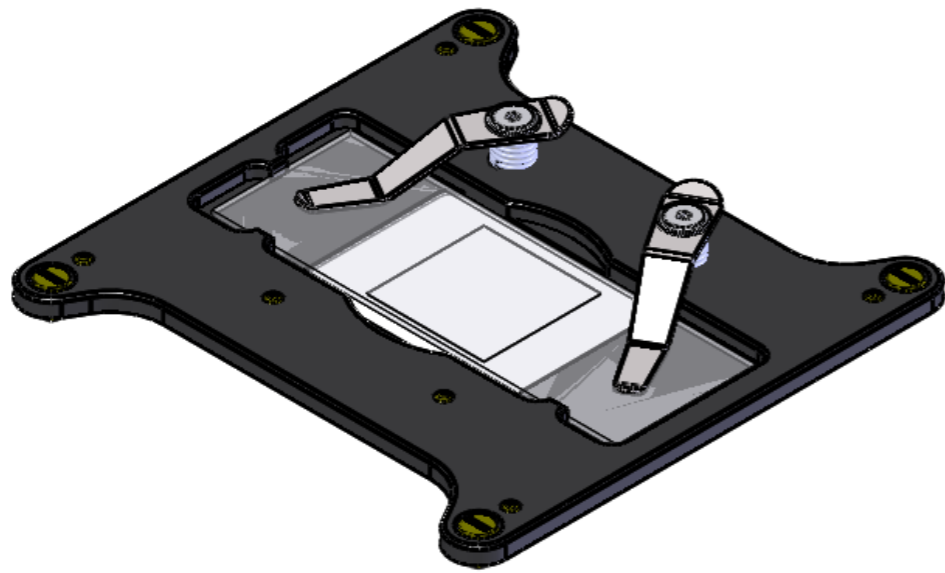
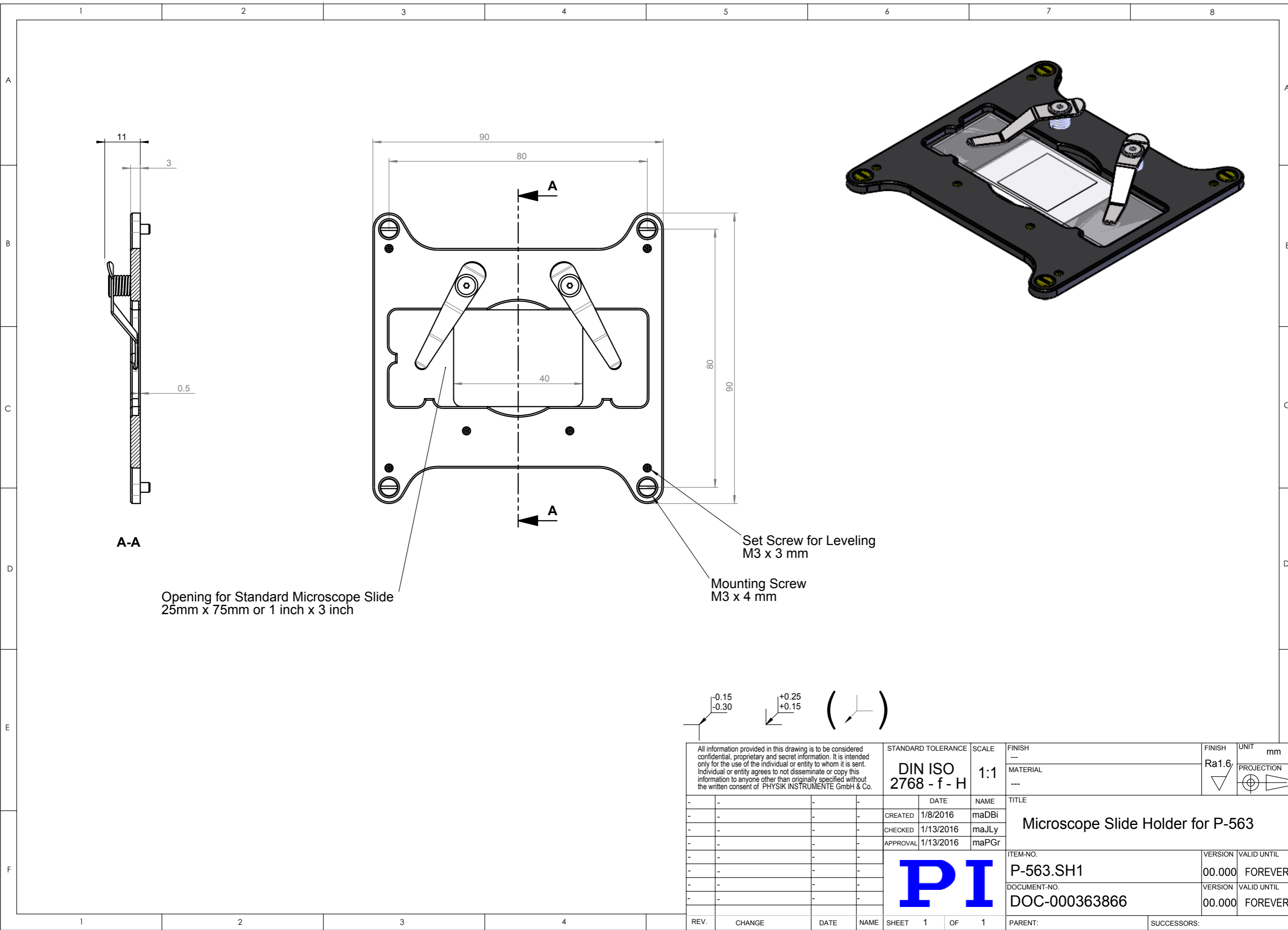


Microscope Accessories for the P-56x Piezo Stage



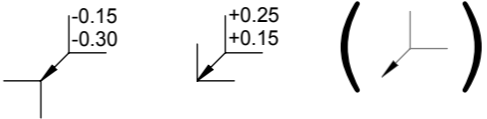


A-A

Opening for Standard Microscope Slide
25mm x 75mm or 1 inch x 3 inch

Set Screw for Leveling
M3 x 3 mm

Mounting Screw
M3 x 4 mm



All information provided in this drawing is to be considered confidential, proprietary and secret information. It is intended only for the use of the individual or entity to whom it is sent. Individual or entity agrees to not disseminate or copy this information to anyone other than originally specified without the written consent of PHYSIK INSTRUMENTE GmbH & Co.				STANDARD TOLERANCE		SCALE	FINISH	FINISH	UNIT	
				DIN ISO 2768 - f - H		1:1	---	Ra1.6	mm	
				DATE	NAME	TITLE				
				CREATED	1/8/2016	maDBi	Microscope Slide Holder for P-563			
				CHECKED	1/13/2016	maJLy				
				APPROVAL	1/13/2016	maPGr				
				ITEM-NO.		VERSION	VALID UNTIL			
				P-563.SH1		00.000	FOREVER			
				DOCUMENT-NO.		VERSION	VALID UNTIL			
				DOC-000363866		00.000	FOREVER			
REV.	CHANGE	DATE	NAME	SHEET	1	OF	1	PARENT:	SUCCESSORS:	

