

High-Resolution Translation Stage

NANOMETER STEP SIZES



N-664

- Travel range 30 mm
- Encoder resolution 0.5 nm
- Minimal incremental motion 2 nm
- Excellent guiding accuracy
- Max. velocity 10 mm/s

Reference-class translation stage with linear motor

Piezo motor-based direct drive

NEXACT® piezo stepping motor with subnanometer resolution. High load capacity and precision due to crossed roller bearings. Reference switch. Low operating voltage. Self-locking at rest, no heat generation

Direct measuring principle

High-precision linear encoder P1One with subnanometer resolution

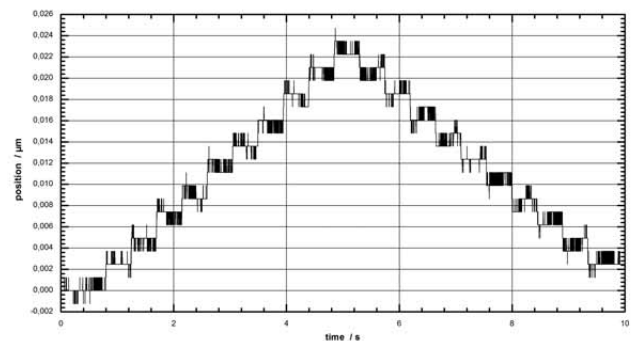
Application fields

Research and industry. Option: vacuum version

Related Products

M-511.HD Nano-Precision Heavy-Duty Stage

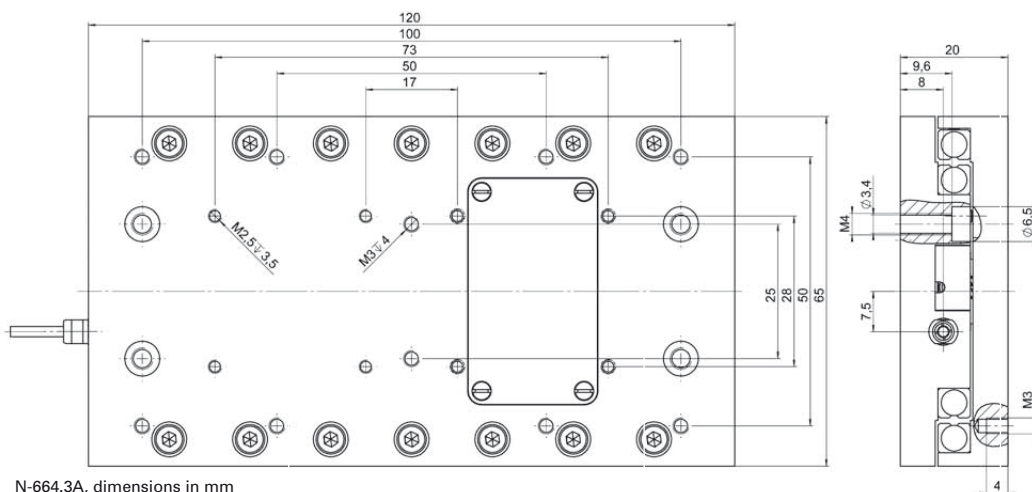
N-661 Miniature Linear Stage with NEXACT® Drive



2 nm steps of a N-664.3A with an E-861 Controller

	N-664.3A	Units	Tolerance
Active axes	X		
Motion and positioning			
Travel range	30	mm	
Min. incremental motion	2	nm	
Integrated sensor	PIOne linear nanometrology encoder		
Open-loop resolution	0.03	nm	typ.
Closed-loop resolution	0.5*	nm	
Max. step frequency, open-loop	0.8	kHz	max.
Max. velocity	10*	mm/s	max.
Linearity	< 0.002% (0,5 μm) along the entire travel range; 0.03% (5 nm) along 20 μm		
Bidirectional repeatability	< 10	nm	
Pitch	40	μrad	typ.
Yaw	40	μrad	typ.
Mechanical properties			
Stiffness in motion direction	2.5	N/μm	±20%
Max. load	20	N	
Max. push / pull force (active)	10	N	max.
Max. holding force (passive)	15	N	min.
Lateral force	50	N	max.
Drive properties			
Drive type	NEXACT® linear drive		
Operating voltage	-10 to +45	V	
Miscellaneous			
Operating temperature range	0 to 50	°C	
Material	Aluminum, nickel-plated		
Mass	530	g	±5%
Cable length	1.5	m	±10 mm
Connector	HD sub-D connector, 15-pin (motor) Sub-D 15 (f) 15-pin (sensor)		
Recommended controller	E-861 controller for NEXACT® linear drives and positioners		

* With E-861. Depending on drive electronics



N-664.3A, dimensions in mm

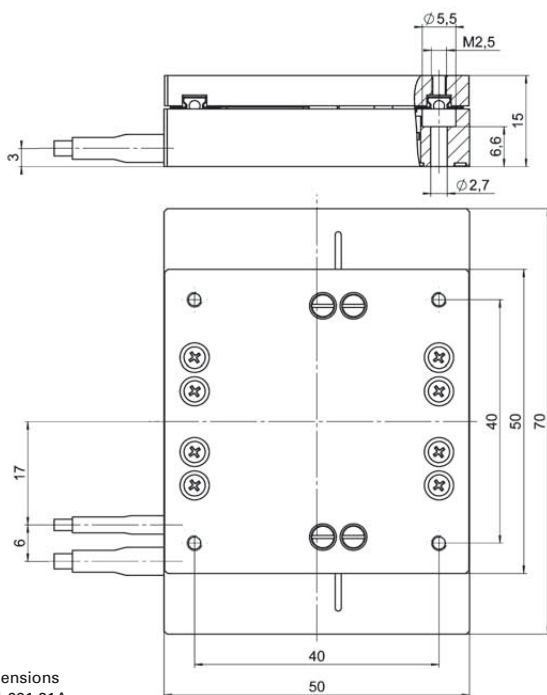
N-661 Miniature Linear Slide with NEXACT® Drive

PiezoWalk® Drive Provides Nanometer Precision, Smooth Motion and Rapid Response



The N-661 miniature linear stage integrates a PiezoWalk® NEXACT® linear motor combined with a high-resolution linear encoder. It provides 20 mm travel and resolution down to the nanometer range.

- **Travel Range 20 mm**
- **Self Locking at Rest, no Heat Generation, no Servo Dither**
- **Compact Design: 70 x 50 x 20 mm**
- **Zero-Wear Piezo Stepping Drive, Ideal for Micro- and Nano-Manipulation**
- **Integrated Linear Encoder Option for Highest Accuracy with 20 nm Resolution**
- **Two Operating Modes: Continuous Stepping Mode and Continuously Variable, High-Dynamics Analog Mode for 30 pm Resolution**
- **Up to 10 N Force Generation**



Dimensions of N-661.21A

The compact N-661 nanopositioning stage is based on the NEXACT® PiezoWalk® drive. This dual-mode, high-performance piezo stepping linear motor can provide sub-nanometer resolution and high force, along with very rapid response. When run in its analog mode, fast oscillations with amplitudes up to 7 microns and resolutions down to 30 pm can be achieved. This mode is of great value in high-throughput applications as well as in dynamic laser tuning, cell penetration applications, or even for active vibration damping. The stage is equipped with a precision guiding system and an optical linear encoder to enable highly repeatable positioning.

Ordering Information

N-661.21A
Miniature NEXACT® Translation Stage, 20 mm, Linear Encoder, 20 nm Resolution

Ask about custom designs

Application Examples

- Life science
- Photonics
- Laser tuning
- Motion in strong magnetic fields

The products described in this document are in part protected by the following patents:
German Patent No. P4408618.0

Technical Data

Model	N-661.21A
Active axes	X
Motion and positioning	
Travel range	20 mm
Step size in stepping mode (open-loop)	To 5 µm
Integrated sensor	Linear encoder
Sensor resolution	20 nm *
Travel range in analog mode	7 µm
Open-loop resolution	0.03 nm
Closed-loop resolution	20 nm*
Bidirectional repeatability	200 nm
Pitch	500 µrad
Yaw	150 µrad
Max. Step frequency (open-loop)	0.8 kHz
Max. velocity	10 mm/s*
Mechanical properties	
Stiffness in motion direction	2.4 N/µm
Max. load capacity	20 N
Max. push / pull force (active)	10 N
Max. holding force (passive)	15 N
Lateral Force	20 N
Drive properties	
Drive type	NEXACT® linear drive
Operating Voltage	-10 V to +45 V
Miscellaneous	
Operating temperature range	0 to 50 °C
Material	Aluminum
Mass	150 g
Cable length	1.5 m
Connector	15-pin sub-HDD connector, one channel
Recommended controller/driver	E-861.1A1 Controller for NEXACT® (see p. 1-20)

*With E-861. Depending on drive electronics.